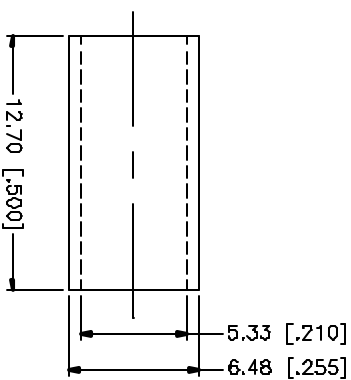
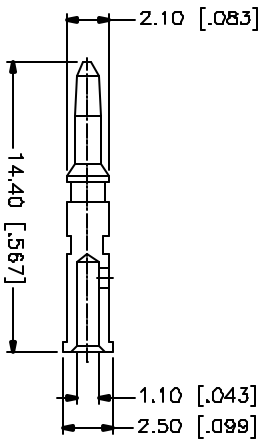
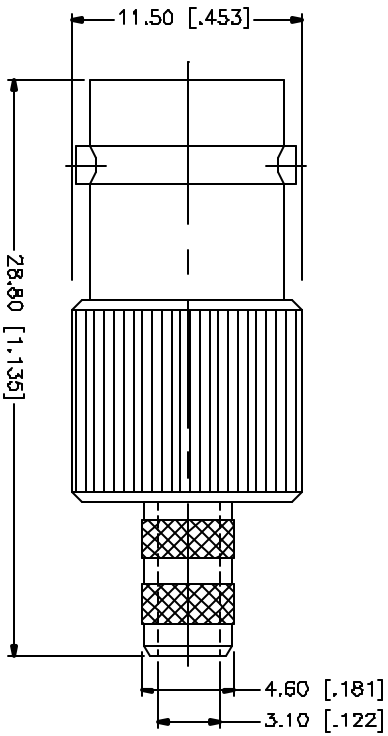
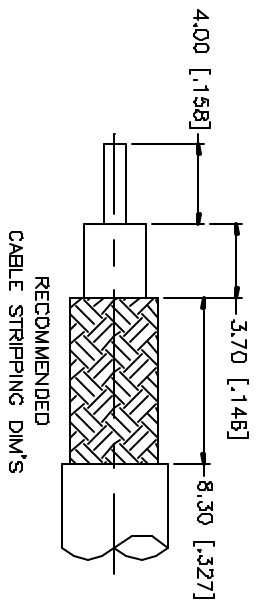


REV.	DATE	DESCRIPTION
NC	05/01/04	INITIAL RELEASE



NOTE:

1. CRIMPED FERRULE
HEX CRIMP SIZE .213"
2. CRIMPED CONTACT PIN
HEX CRIMP SIZE .068"

Amphenol Connex

BNC REVERSE POLARITY CRIMP JACK

REV.	DATE	DESCRIPTION	QTY	MATERIAL	FINISH		
8							
7							
6							
5							
4			1	COPPER	NICKEL		
3			1	BRASS	GOLD		
2			1	TEFLON	NATURAL		
1			1	BRASS	NICKEL		
DESCRIPTION		MATERIAL				FINISH	QTY

UNLESS OTHERWISE SPECIFIED DIMENSIONS ARE IN INCHES AND FOR DIMENSIONS REFER TO THIS DIVISION.	UNLESS OTHERWISE SPECIFIED DIMENSIONS ARE IN MILLIMETERS.
D.5 - Bore ± 0.20mm	30 - 120mm ± 0.50mm
B - 30mm ± 0.40mm	
UNLESS OTHERWISE SPECIFIED DIMENSIONS FOR THESE ARE:	
.020 - .315 = ± 0.007"	
.315 - 1.180 = ± 0.015"	
1.180 - 4.724 = ± 0.030"	

APPROVALS	DATE
DRAWN G.R.S.	05/01/04
CHECKED	
ISSUED	
SHEET 1 OF 1	

PART DESCRIPTION	PART NO.	DWG. NO.	REV.	SIZE	SCALE
BNC REVERSE POLARITY CRIMP JACK	112144RP	112144RP.DWG	NC	A	NA